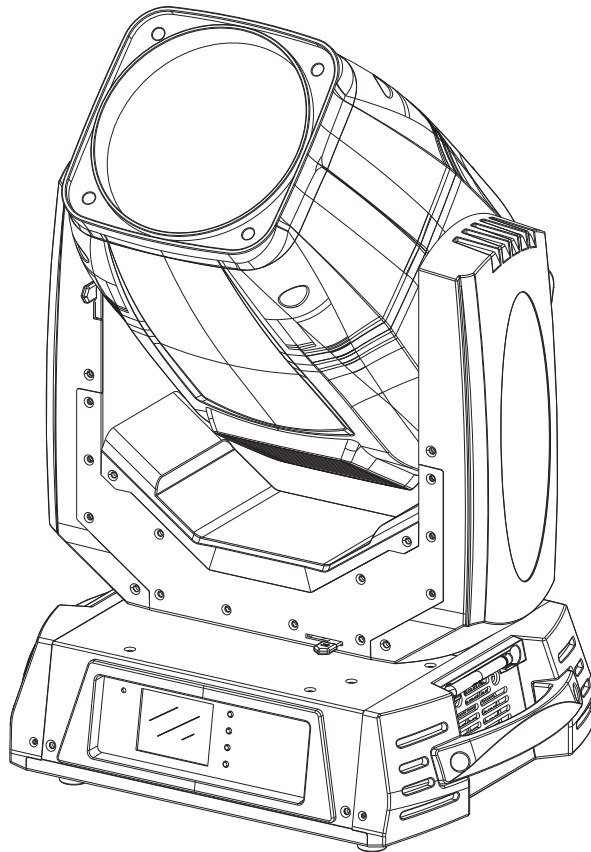


# lightbeam 370

## *USER MANUAL*



CE v1.0

  
**LEDING**



## Table of content

1.Open–Package guidelines.....	1
1. 1 Package.....	1
2.Safety instructions.....	1
3.Operating determinations.....	3
4.Rigging the fixture.....	4
4.1 Mounting.....	4
4.2Installing the Clamps.....	4
4.3 Power supply connection and cut off.....	5
4.4 Power Connection.....	6
4.5 DMX–512 connection/connection between fixtures.....	6
5.Description of the device.....	7
6.Dimension.....	8
7.Display control.....	9
7.1 Navigation in the Menu.....	9
7.2 Display Operation.....	9
7.3 Menu Maps.....	11
8.DMX protocol.....	12
9.Maintance and cleaning.....	15
10.Electric equipment specification.....	16
10.1 Electrical paramters.....	16
10.2 Weight and dimensions.....	16
10.3 Channel Characteristics.....	16
10.4 Menu Function.....	17
10.5 light table.....	17
10.6 Color wheel.....	18
10.7 Gobo wheel.....	18
11.Electronic drawing.....	19

Congratulations on choosing our products! Please carefully read this instruction manual in its entirety and keep it well for using reference. This manual contained about the installation and the relative using information of this products. Please refer to this manual's relative instruction when using this equipment.

## 1.Open–Package guidelines

This equipment is made of new style,high intensity plastic.It fully shows the modem times light charac teristic with teristic with beauty struture. And it is made accord to CE standard. Fully agree with the internation standard of DMX512 agreement.

When receive the product,please be careful to take and put,check if the product has damage or not because of transportation, and check the following parts:

- |                    |                     |
|--------------------|---------------------|
| 1.Signal cable-1PC | 2.Safaty cable-1PC  |
| 3.User Manval-1PC  | 4.Omega holder-2PCS |
| 5.Power cable-1PC  | 5.Service card-1PC  |

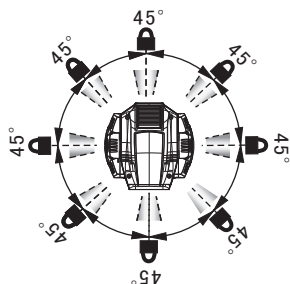
### 1.1 Package

Unpacking the fixture

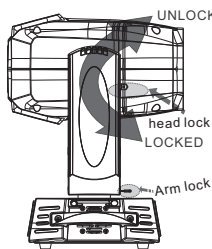
- 1.Open the flight case cove.
- 2.With one person on each side, lift the fixture out of the flight case.
- 3.Unlock pan and tilt before operating fixture.

Packing the fixture

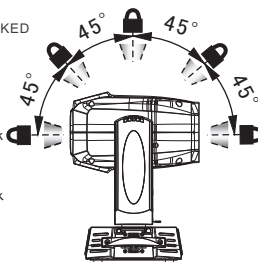
- 1.Disconnect the fixture from power and allow it to cool.
- 2.lock arms and head as figure.- Fig.1(PAN Mechanism Lock and Release (every 45°) - Fig.1-1)(Tilt Mechanism Lock and Release (every 45°) - Fig.1-2)
- 3.Place the fix ture in the bottom of the flight case, and cover the case without forcing.



PAN Mechanism Lock Fig.1-1



Level vertical transportation lock Fig.1

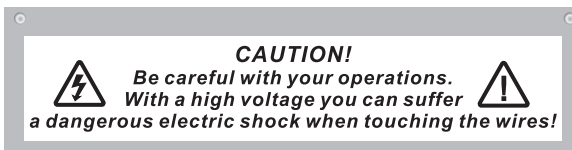


Tilt Mechanism Lock Fig.1-2

## 2.Safety instructions

Every person involvd with installation and maintenance of this device to:

- Be qualified
- Follow the instructions of this manual.



This device has been shipped with our premises in absolutely perfect condition.In order to maintain this condition and toensure a safe operation,it is absolutely necessary for the user to follow the safety instructions and warning notes written in this manual.

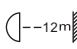









### Important:

- The manufacturer will not accept liability for any resulting damages caused by the nonobservance of this manual or any unauthorized modification to the device.
- Please consider that damages caused by manual modifications to the device are not subject to warranty.

- Never let the power-cord come into contact with other cables! Handle the power cord and all connections with particular caution!
- Make sure that the available voltage is not higher than stated on the rearpanel.
- Always plug in the power plug least. Make sure that the power-switch is set to off-position before you connect with themains with particular caution!
- Make sure that the power-cord is never crimped or damaged by sharp edges. Check the device and the power-cord from time to time.
- Always disconnect from the mains, when the device is not in use or before cleaning it.
- Only handle the power-cord by the plug, Never pull out the plug by tugging the powercord.
- This device falls under protection class I. Therefore it is essential to connect the yellow/green conductor to earth.
- The electric connection, repairs and servicing must be carried out by a qualified employee.
- Do not connect this device to a dimmer pack.
- Do not switch the fixture on and off in short intervals as this would reduce the lamp's life.
- Do not touch the device's housing bare hands during its operation (housing becomes hot)!
- For replacement use lamps and fuses of same type and rating only.

### Eye damage!

**Avoid looking directly into the light source (meant especially for epileptics)!**

- 
  - **Minimum distance of illuminated objects**  
The projector needs to be positioned so that the objects hit by the beam of light are at least 12 metres from the lens of the projector.
- 
  - **Maximum ambient temperature**  
Do not operate the fixture if the ambient temperature ( $T_a$ ) exceeds 40°C (104°F).
- 
  - **Temperature of the external surface**  
The maximum temperature that can be reached on the external surface of the fitting, in a thermally steady state, is 80°C (176°F).
- 
  - **IP20 protection rating**  
The fitting is protected against penetration by solid of over 12mm (0.47") in diameter (first digit 2), but not against dripping water, rain, splashes or jets of water (second digit 0).
- 
  - **Indoor use only**
- 
  - **Not suitable for household illumination**
- 
  - **Photobiological Safety**  
CAUTION. Do not look directly at the light source. Do not look at the light beam with optical devices or any other tool that could cause light convergence.  
The fixture must be positioned so that the minimum distance between the front lens and human eye is at least 3 metres to prevent personal photobiological risks.
- 
  - **Mounting surfaces**  
It is permissible to mount the fitting on normally flammable surfaces.
- 
  - **The products to which this manual refers comply with the European Directives pursuant to:**
    - 2006/95/EC - Safety of electrical equipment supplied at low voltage (LVD)
    - 2004/108/EC - Electromagnetic Compatibility (EMC)
    - 2011/65/EU - Restriction of the use of certain hazardous substances (RoHS)
    - 2009/125/EC - EcoDesign requirements for Energy-related Products (ErP)
- 
  - **Protection against electrical shock**  
Connection must be made to a power supply system fitted with efficient earthing (Class I appliance according to standard EN 60598-1). It is, moreover, recommended to protect the supply

lines of the projectors from indirect contact and/or shorting to earth by using appropriately sized residual current devices.



- **Disposing**  
This product is supplied in compliance with European Directive 2012/19/EU-Waste Electrical and Electronic Equipment (WEEE) . To preserve the environment please dispose/recycle this product at the end of its life according to the local regulation.



- **Battery**  
This product contains a rechargeable lead-acid or lithium iron tetraphosphate battery. To preserve the environment, please dispose the battery at the end of its life according to the regulation in force.



- **Lamp**  
The fitting mounts a high-pressure lamp that needs an external igniter. This igniter is fitted onto the apparatus. -Carefully read the "operating instructions" provided by the lamp manufacturer.  
-Immediately replace the lamp if damaged or deformed by heat.



- **Maintenance**  
Before starting any maintenance work or cleaning the projector, cut off power from the mains supply. After switching off, do not remove any parts of the fitting for at least 10 minutes. After this time the likelihood of the lamp exploding is virtually small. If it is necessary to replace the lamp, wait for another 15 minutes to avoid getting burnt. The fitting is designed to hold in any splinters produced by a lamp exploding.



### 3. Operating determinations

- This device is a moving-head for creating decorative effects and was designed for indoor use only.
- If the device has been exposed to drastic temperature fluctuation (e.g. after transportation), do not switch it on immediately. The arising condensation water might damage your device. Leave the device switched off until it has reached room temperature.
- Never run the device without lamp!
- Do not shake the device, Avoid brute force when installing or operating the device.
- Never lift the fixture by holding it at the projectorhead, as the mechanics may be damaged. Always hold the fixture at the transport handles.
- When choosing the installation-spot, please make sure that the device is not exposed to heat, moisture or dust. There should not be any cables lying around. You endanger your own and the safety of others!
- The minimum distance between light output and the illuminated surface must be more than 0.2 meters.
- Make sure that the area below the installation place is blocked when rigging, derigging or servicing the fixture.
- Always fix the fixture with an appropriate safety rope, Fix the safety rope at the correct holes only.
- Operate the fixture after having checked that the housing is firmly closed and all screws are tightly fastened.
- The lamp must never be ignited if the objective-lens or any housing-cover is open, as discharge lamps may explode and emit a high ultraviolet radiation, which may cause burns.
- The maximum ambient temperature 40° C must never be exceeded.
- Operate the device only after having familiarized with its functions. Do not permit operation by persons not qualified for operating the device. Most damages are the result of unprofessional operation!
- Please use the original packaging if the device is to be transported.
- Please consider that unauthorized modifications on the device are forbidden due to safety reasons!
- If this device will be operated in any way different to the one described in this manual, the product may suffer damages and the guarantee becomes void. Furthermore, any other operation may lead to dangers like short-circuit, burns, electric shock, burns due to ultraviolet radiation, lamp explosion, crash etc.

## 4. Rigging the fixture

### 4.1 Mounting



*Pay attention to the regulations of CE.*

*Installation by qualified staff to complete.*

- ☞ For the various mounting positions of the FIXTURE (standing on the floor, sideways or hanging) different accessories kits are available.
- ☞ Through this a safe and firm installation is assured.
- ☞ You'll find special connectors on the bottom side of the system which are put to use here.

### 4.2 Installing the Clamps

Please consider the respective national norms during the installation! The installation must only be carried out by an authorized dealer!

The installation of the projector has to be built and constructed in a way that it can hold 10 times the weight for 1 hour without any harming deformation.

The installation must always be secured with a secondary safety attachment, e.g. an appropriate catch net. This secondary safety attachment must be constructed in a way that no part of the installation can fall if the main attachment fails.

When servicing the fixture staying in the area below the installation place, on bridges, under high working places and other endangered areas is forbidden.

The operator has to make sure that safety-relating and machine-technical installations are approved by an expert before taking into operation for the first time and after changes before taking into operation another time.

The operator has to make sure that safety-relating and machine-technical installations are approved by an expert after every four years in the course of an acceptance test.

The operator has to make sure that safety-relating and machine-technical installations are approved by a skilled person once a year.

The projector should be installed outside areas where persons may walk by or be seated.

**Important!** Overhead rigging requires extensive experience CE, including (but not limited to) calculating working load limits, installation material being used, and periodic safety inspection of all installation material and the projector. If you lack these qualifications, do not attempt the installation yourself, but instead use a professional structural rigger. Improper installation can result in bodily injury and or damage to property.

The projector has to be installed out of the reach of people.

If the projector shall be lowered from the ceiling or high joists, professional trussing systems have to be used. The projector must never be fixed swinging freely in the room.

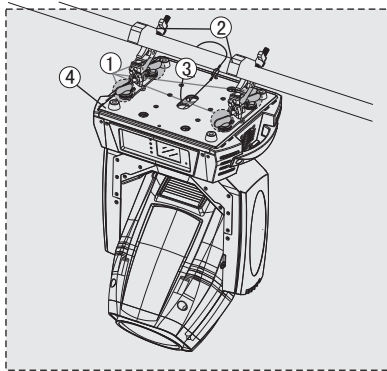
**Caution** Projectors may cause severe injuries when crashing down! If you have doubts concerning the safety of a possible installation, do not install the projector!

Before rigging make sure that the installation area can hold a minimum point load of 10 times the projector's weight.



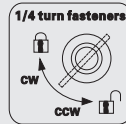
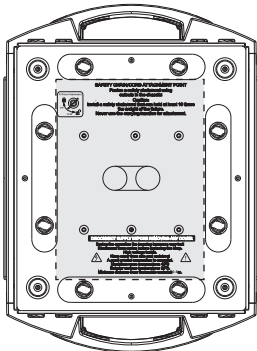
The projector can be placed directly on the stage floor or rigged in any orientation on a truss without altering its operation characteristics.

For overhead use, always install a safety-rope that can hold at least 10 times the weight of the fixture. You must only use safety-ropes with screw on carabines. Pull the safety-rope through the two apertures on the bottom of the base and over the trussing system etc.



**Warning:** it is necessary to make sure that the installation location is perfectly appropriate, and the installation location is safe and reliable.

- |   |                |
|---|----------------|
| ① | Lock catch     |
| ② | omega holder   |
| ③ | secure chain   |
| ④ | mounting plate |



**SAFETY CHAIN/CORD ATTACHMENT POINT**  
Fasten a safety chain/cord using cutouts in the chassis!

**Caution:**  
Install a safety chain/cord that can hold at least 10 times the weight of the fixture.  
Never use the carrying handles for attachment.

**DISCONNECT SUPPLY BEFORE REMOVING ANY COVER**

During the operation the housing becomes very hot!  
Disconnect from mains before replacing the lamp.  
High voltage inside.



Keep away from rain and moisture!  
A good ground connection is essential.  
Maximum room temperature: 40°C  
Exterior surface temperature: 80°C  
Minimum distance from flammable material: 0.8m.

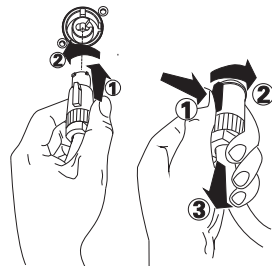


### 4.3 Power supply connection and cut off

Connect the light source to the main power source with the plug of the power cord, or cut off the power supply:

**Connection:** according to procedures, the power plug and socket is inserted into the groove one one alignment, rotation.

**Cut off:** according to procedures, press the button on the rotating plug, pull out.



#### 4.4 Power Connection

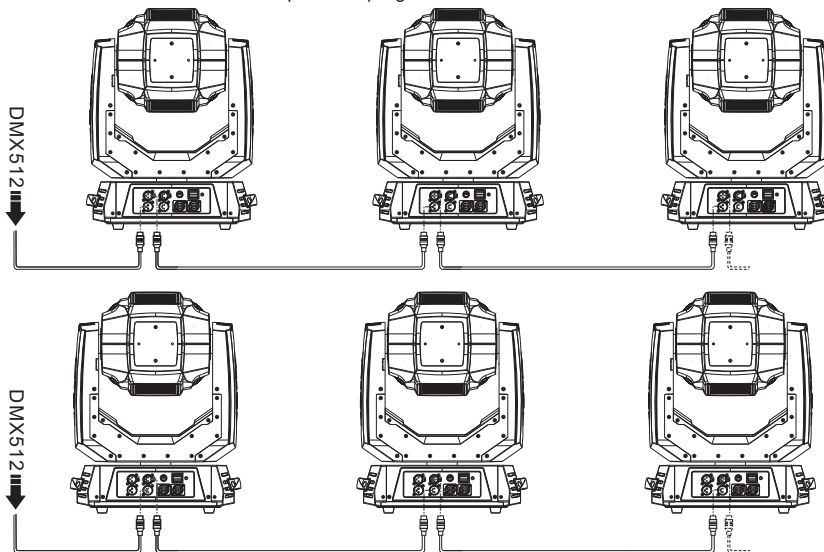
If you wish to change the power supply settings, see the chapter appendix Connect the fixture to the mains with the enclosed power cable and plug.

**Warning:** please verify the power of the power supply equipment prior to the connection! Earth wire must be grounded!

CABLE(EU)	CABLE(US)	Pin	INTERNATIONAL
Brown	Black	Live	<b>L</b>
Light blue	White	Neutral	<b>N</b>
Yellow/Green	Green	Earth	<b>⊕</b>

#### 4.5 DMX-512 connection/connection between fixtures

Only use stereo shielded cable and 3-pin XLR-plugs and connectors in order to connect.



#### Caution

At the last fixture, the DMX-cable has to be terminated with a terminator. solder a 120 resistor between signal(-) and Signal (+) into a 3-pin XLR-plug and plug it in the DMX-output of the last fixture.

DMX output 3-pin XLR socket      DMX input 3-pin XLR socket

DMX output 5-pin XLR socket      DMX input 5-pin XLR socket



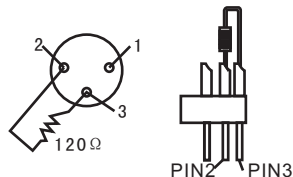
- 1: Ground
- 2: Signal (-)
- 3: Signal (+)



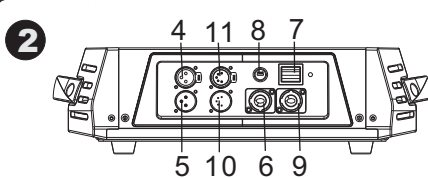
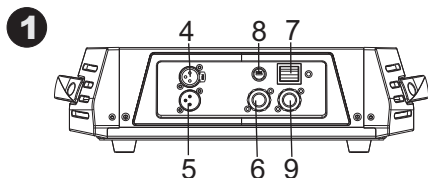
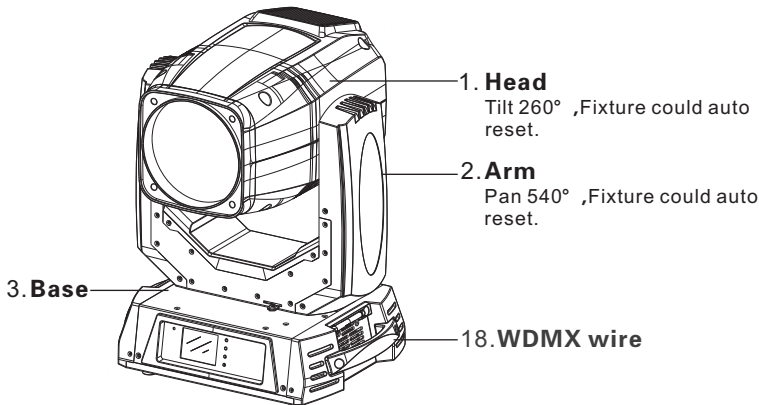
- 1: Ground
- 2: Signal (-)
- 3: Signal (+)
- 4: N. A.
- 5: N. A.

### DMX Terminator Diagram

-For installations where the DMX cable has to run a long distance or is in an electrically noisy environment it is recommended to use a DMX terminator. This helps in preventing corruption of the signal by electrical noise. The DMX terminator is simply an XLR plug with a 120Ω resistor connected between pins 2 and pins 3, which is then plugged into the output XLR socket of the last fixture in the chain.



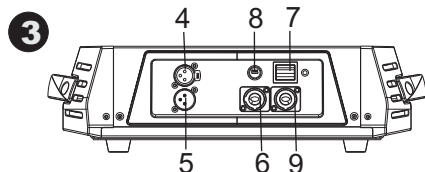
## 5. Description of the device



### BACK PANEL

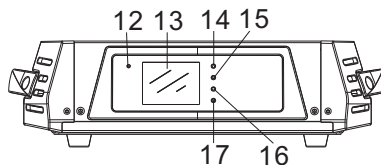
- 4. 3-pin XLR female
- 5. 3-pin XLR male
- 6. Power-in
- 7. Power switch
- 8. Main Fuse
- 9. Power-out
- 10. 5-pin XLR male
- 11. 5-pin XLR female

Note: One of the above three power boards can be chosen at will!

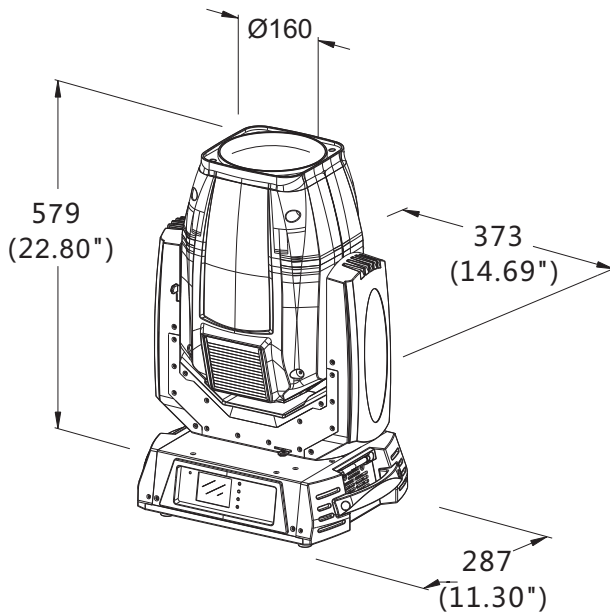
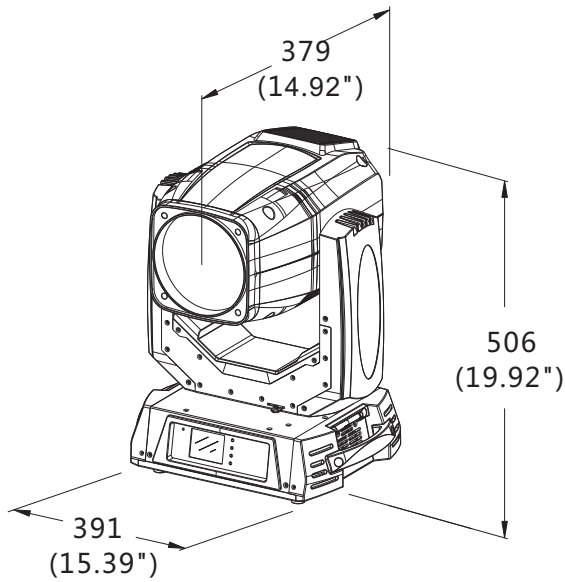


### CONTROL PANEL

- 12. Status indicator lamp
- 13. Touch screen (LCD display)
- 14. MODE button
- 15. UP button
- 16. DOWN button
- 17. ENTER button
- 18. WDMX Wire



## 6.Dimension



## 7. Display control

### 7.1 Navigation in the Menu

Using the buttons or touch screen, and this can be simply and easily set the address code and functions code.

If you view or modify the lighting feature set, then press ENTER button, the display will enter the menu interface. Both there is sub menu corresponding to the functional operation of the main menu. Each of the menus is representative of the specific features of the lamp. The specific contents shows as the table menu below.

Set or browse lighting function, press UP or DOWN button.

Press ENTER to save your changes or enter the submenu. Press the UP or DOWN can change the numerical (increase or decrease in value).

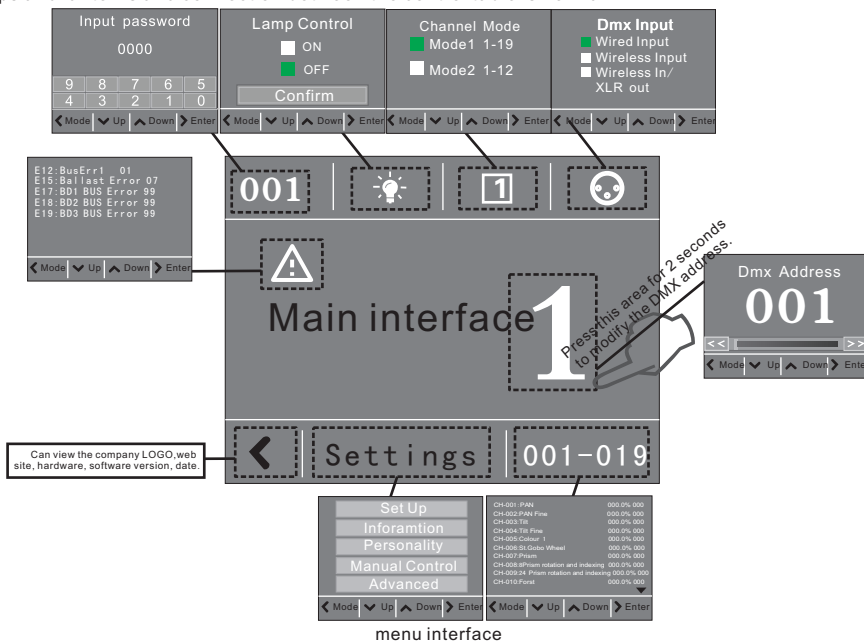
Press the MODE button to return to menu. Set a time 0 to 10 minutes automatically exit menu interface and close the screen.

### 7.2 Display Operation

Put through power supply, open the power switch of lamps and lanterns, display show the company LOGO website. According to the main interface, as shown in figure:

In the main interface, press "MODE" button to view the software version, press the "UP" "DOWN" can modify the DMX address.

If the screen "⊗" icon is green, said DMX signal connection is normal, this state can be used to check the lamps and lanterns and connection between the control table is normal.



menu interface

This lamp can be set to turn off the automatic flip screen function, touch this "⊗" icon can be manually flip screen.

Click on the main interface of the icon, numerical to view view Settings related information of lamps and lanterns. Symbols such as the main interface appear "Δ", the following error message indicates that there might be a lamps and lanterns, can click to view and control information content to modify the lamps and lanterns.

CODE #	ERRO INFO	CHECK MEASUREMENT	NOTE
E01	SpiFlashError	Check the welding of memory IC	RESET ERROR
E02	Program Err 1	Check the welding of Chip	
E03	Program Err 2	Check the welding of master IC EP3C	
E04	MBDInit Error	Check the communication signal 485& 485 chip & memory IC	
E05	BD1Init Error		
E06	BD2Init Error	Check main cable ABAB ( 485 ) chip	
E07	BD3Init Error		
E12	BusErr1		
E13	BusErr2	Check the welding of master IC	
E14	SPDError		
E16	MFpga Error	Check the communication signal& welding of communication chip	
E17	BD1 BUS Error		
E18	BD2 BUS Error		
E19	BD3 BUS Error		
E21	Pan FB. Err	Check the light coupling line, optical coupling switch and a plate of the relative position measurement	
E23	Tilt FB. Err		
E22	Pan Zero Err	Check cable of sensor, distance and location of ,magnets and sensor	
E24	Tilt Zero Err		
E25	Prism Err1		
E26	Prism Err2		
E27	Prism RtErr1		
E28	Prism RtErr2		
E32	Focus Err		
E33	St.Gobo Err		
E34	Colour Err		
E37	B.Fan1 Error		
E38	B.Fan2 Error		
E39	B.Fan3 Error		
E40	L.Fan1 Error	Check if the fan(80) of the lamp holder is working	
E41	L.Fan2 Error		
E42	L.Fan3 Error	Check if the blowing machine of lamp holder is working	
E43	L.Fan4 Error		

## 7.3 Menu Maps

			Remark
Set up	Dmx Address	001-XXX	Dmx Address
	Channel Mode	Mode1 1-19	Default Mode1
		Mode2 1-12	
Fixture Id	0001-9999	Lamps Address	
Information	Fixture Times	XXXXX h XX m	Total working hours
	Lamp Times	Lamp On Times XXXXh XXm	Lamp On working hours
		Lamp Strike XXXX	Lamp Strike
		Reset Lamp Time	Reset Lamp Time
	Error List		Error Details
	Diagnosis	BOARD 1: XX.XX%	Diagnosis
		BOARD 2: XX.XX%	
		BOARD 3: XX.XX%	
	Fans Monitor		Fans Monitor
DMX Values		DMX Values	
DMX Diagnosis			
Personality	Lamp	Power ON Light ON/OFF	Power ON Light(Default OFF)
		Lamp On By DMX ON/OFF	Lamp On By DMX(Default ON)
		Lamp ON Delay 0-60m	Lamp ON Delay(Default 0m)
	Pan/Tilt	Pan Reverse ON/OFF	Pan Reverse(Default OFF)
		Tilt Reverse ON/OFF	Tilt Reverse(Default OFF)
		Feedback ON/OFF	Pan/Tilt Auto Switch(Default ON)
	Dmx Input	Wired Input	Wired Input(Default)
		Wireless Input	Wireless Input
		Wireless In/XLR out	Wireless In/XLR out
	Language	English(Default)	Language choice (English Default)
		Chinese	
	Screen	Brightness	Brightness
Screen Time out 0-10m		Screen Time out	
Touch Screen ON/OFF		Touch Screen(Default OFF)	
Auto Screen ON/OFF		Auto Screen(Default ON)	
Manual Control	Lamp	Lamp Control ON/OFF	Lamp Control(Default OFF)
		Confirm	Confirm
	Reset	Reset ALL	
		Reset Pan/Tilt	
		Reset Colour	
		Reset Gobo	
Reset Other			
Channel		Chanel Testing	
Advanced	Calibration	Input Password:0088	Chanel Adgusting
	Factory Default	ON/OFF	Reset to orignal parameters
	Touch Calibration		Touch screen adjusting

## 8.DMX protocol

Mode1	Mode2	Fade Type	Function	Dmx Value
1	1	Pan	Pan	0-255
2		Pan Fime(16BIT)	Pan Fime	0-255
3	2	Tilt	Tilt	0-255
4		Tilt Fime(16BIT)	Tilt Fime	0-255
5	3	Colour 1	<b>Continual positioning</b>	
			Empty position	0
			Empty → colour 1	9
			colour 1 → colour 2	18
			colour 2 → colour 3	27
			colour 3 → colour 4	37
			colour 4 → colour 5	46
			colour 5 → colour 6	55
			colour 6 → colour 7	64
			colour 7 → colour 8	73
			colour 8 → colour 9	82
			colour 9 → colour 10	91
			colour 10 → colour 11	101
			colour 11 → colour 12	110
			colour 12 → colour 13	119
			Empty	128-129
			<b>Positioning</b>	
			colour 1	130-134
			colour 2	135-138
			colour 3	139-143
			colour 4	144-147
			colour 5	148-152
			colour 6	153-157
			colour 7	158-161
			colour 8	162-166
			colour 9	167-171
			colour 10	172-176
colour 11	177-180			
colour 12	181-185			
colour 13	186-189			
Continuous colour rotation at linearly variable speed from fast to slow	190-215			
Stop rotation	216-217			
Continuous colour rotation at linearly variable speed from slow to fast	218-243			
Reserved	244-249			
Auto random colour selection from fast to slow	250-255			
6	4	Static gobo wheel	Open/hole	0-3
			<b>Positioning</b>	
			Gobo 1	4-9
			Gobo 2	10-15



Mode1	Mode2	Fade Type	Function	Dmx Value		
6	4	Static gobo wheel	Gobo 3	16–21		
			Gobo 4	22–27		
			Gobo 5	28–33		
			Gobo 6	34–39		
			Gobo 7	40–45		
			Gobo 8	46–51		
			Gobo 9	52–57		
			Gobo 10	58–63		
			Beam reducer 1	64–69		
			Beam reducer 2	70–75		
			Beam reducer 3	76–81		
			Beam reducer 4	82–87		
			<b>Shaking gobos from slow to fast</b>			
			Gobo 1	88–95		
			Gobo 2	96–103		
			Gobo 3	104–111		
			Gobo 4	112–119		
			Gobo 5	120–127		
			Gobo 6	128–135		
			Gobo 7	136–143		
			Gobo 8	144–151		
			Gobo 9	152–159		
			Gobo 10	160–167		
			Beam reducer 1	168–175		
			Beam reducer 2	176–183		
			Beam reducer 3	184–191		
			Beam reducer 4	192–199		
			Open/hole	200–201		
			Backwards gobo wheel rotation from fast to slow	202–221		
			No rotation	222–223		
Forwards gobo wheel rotation from slow to fast	224–243					
Reserved	244–249					
Auto random gobo selection from fast to slow	250–255					
7	5	Prism	Open position	0–9		
			8–facet circular rotating prism–rotation	10–91		
			24–facet circular rotating prism–rotation	92–173		
			8+24–facet circular rotating prism–rotation	174–255		
8	6	8 Prism rotation and indexing	No rotation	0		
			Backwards prism rotation from fast to slow	1–127		
			No rotation	128–129		
9	7	24 Prism rotation and indexing	Forwards prism rotation from slow to fast	130–255		
			No rotation	0		
			Backwards prism rotation from fast to slow	1–127		
10	8	Forst	No rotation	128–129		
			Forwards prism rotation from slow to fast	130–255		
			Frost from 0% to 100%	0–255		
11	9	Focus	Continuous adjustment from far to near	0–255		

Mode1	Mode2	Fade Type	Function	Dmx Value		
12		Focus fine	Fine focusing	0-255		
13	10	Strobe	Shutter closed ( Lamp power reduced to 230 W)	0-31		
			Shutter open, Full lamp power	32-63		
			Strobe-effect from slow to fast	64-95		
			Shutter open	96-127		
			Opening pulse in sequences from slow to fast	128-143		
			Closing pulse in sequences from fast to slow	144-159		
			Shutter open	160-191		
			Random strobe-effect from fast to slow	192-223		
		Shutter open, Full lamp power	224-255			
14	11	Dimmer	Dimmer 0-100%	0-255		
15		Dimmer Fine (16BIT)	Dimmer Fine	0-255		
16	12	Power/Special functions	Reserved	0-19		
			Function is active only 10 seconds after switching fixture on			
			Eco mode ( Lamp power 230W)	20-24		
			Standard mode (Lamp power 280W)	25-29		
			Reserved	30-69		
			Blackout while pan/tilt moving	70-79		
			Disabled blackout while pan/tilt moving	80-89		
			Blackout while colour wheel moving	90-99		
			Disabled blackout while colour wheel moving step	100-109		
			Blackout while gobo wheel moving step	110-119		
			Disabled blackout while gobo wheel moving	120-129		
			To activate following functions, stop in DMX value for at least 3 seconds:			
			Lamp On,reset(total reset except pan/tilt reset)	130-139		
			Pan/Tilt reset	140-149		
			Colour system reset	150-159		
			Gobo wheels reset	160-169		
			Dimmer/Shutter	170-179		
			Zoom/focus/prism reset	180-189		
Reserved	190-199					
Total reset	200-209					
Reserved	210-229					
Lamp Off	230-239					
Reserved	240-255					
17		Pan-Tilt time	Pan - Fine Pan - Tilt - Tilt Fine	0-255		
18		Colour time	Colour	0-255		
19		Gobo time	Static Gobo	0-255		

### Time table

BIT	Seconds
0	Full
1	0.2
2	0.4
3	0.6
4	0.8
5	1
6	1.2
7	1.4
8	1.6
9	1.8
10	2
11	2.2
12	2.4
13	2.6
14	2.8
15	3
16	3.2
17	3.4
18	3.6
19	3.8
20	4
21	4.2
22	4.4
23	4.6
24	4.8
25	5
26	5.2
27	5.4
28	5.6
29	5.8
30	6
31	6.2
32	6.4
33	6.6
34	6.8
35	7
36	7.2
37	7.4
38	7.6
39	7.8
40	8
41	8.2
42	8.4

BIT	Seconds
43	8.6
44	8.8
45	9
46	9.2
47	9.4
48	9.6
49	9.8
50	10
51	10.2
52	10.4
53	10.6
54	11
55	11
56	12
57	12
58	13
59	13
60	14
61	14
62	15
63	15
64	16
65	16
66	17
67	17
68	18
69	18
70	19
71	19
72	20
73	20
74	21
75	21
76	22
77	22
78	23
79	23
80	24
81	24
82	25
83	25
84	26
85	26

BIT	Seconds
86	24
87	24
88	25
89	25
90	26
91	26
92	27
93	27
94	28
95	28
96	29
97	29
98	30
99	30
100	31
101	31
102	32
103	32
104	33
105	33
106	34
107	34
108	35
109	35
110	36
111	36
112	37
113	37
114	38
115	38
116	39
117	39
118	40
119	40
120	41
121	41
122	42
123	42
124	43
125	43
126	44
127	44
128	45

BIT	Seconds
129	41
130	41
131	42
132	42
133	43
134	43
135	44
136	44
137	45
138	45
139	46
140	46
141	47
142	47
143	48
144	48
145	49
146	49
147	50
148	50
149	51
150	51
151	52
152	52
153	53
154	53
155	54
156	54
157	55
158	55
159	56
160	56
161	57
162	57
163	58
164	58
165	59
166	59
167	60
168	60
169	61
170	61
171	62

BIT	Seconds
172	58
173	58
174	59
175	59
176	60
177	60
178	61
179	61
180	62
181	63
182	63
183	64
184	64
185	65
186	65
187	66
188	66
189	67
190	67
191	68
192	68
193	69
194	69
195	70
196	70
197	71
198	71
199	72
200	72
201	73
202	73
203	74
204	74
205	75
206	75
207	76
208	76
209	77
210	77
211	78
212	78
213	79
214	79

BIT	Seconds
215	160
216	170
217	170
218	180
219	180
220	190
221	190
222	200
223	200
224	210
225	210
226	220
227	220
228	230
229	230
230	240
231	240
232	250
233	250
234	260
235	260
236	270
237	270
238	280
239	280
240	290
241	290
242	300
243	300
244	310
245	310
246	320
247	320
248	330
249	330
250	340
251	340
252	350
253	350
254	360
255	Full

## 9. Maintenance and cleaning

**DANGER: Disconnect from the mains before starting any maintenance work.**

### Ballast

Please change timely when each pin is getting yellow.

Be sure to maintain the device every 2 months, and make sure that all parts of the ballast, such as, screws, terminals, are locked well to ensure performance. Neglecting of maintenance may lead to failure of devices.

### Lamp

Turn off the lamp first to better protect the device when the fixture is turned off. Turn off the power after running for at least 5 minutes

Don't touch the bulb with your hands. Once contacting with your hands, scrub with alcohol and then dry with linen.

When the light is on, the bulb runs at high pressure, so there is a risk of broken. It is related to the duration of using, temperature and unreasonable operation. Therefore, please do not use lamp over the life span.

The using of lamp should not exceed 1500 hours, otherwise it can damage device. Check the running time of the fixture regularly. When the lamp is used around 1500 hours, We strongly recommend that you change the lamp. After replacing it, the used time of lamp can be removed and reset.

Avoid operating in dirty and dusty environment, clean and maintain lamps regularly. Wipe the outside of the lens at least every 20 days. Wipe the internal fan at least every 30 days

It is absolutely essential that the fixture is kept clean and that dust, dirt and smoke fluid residues must not build up on or within the fixture. Otherwise, the fixtures light-output will be significantly reduced. Regular cleaning will not only ensure the maximum light-output, but will also allow the fixture to function reliably through out its life. A soft lint-free cloth moistened with any good glass cleaning fluid is recommended, under no circumstances should alcohol or solvents be used!

The front objective lens will require weekly cleaning as smoke-fluid tends to building up residues, reducing the light-output very quickly. The cooling-fans should be cleaned monthly.

The gobos may be cleaned with a soft brush, The interior of the fixture should be cleaned at least annually using a vacuum-cleaner or an air-jet.

There are no serviceable parts inside the device except for the lamp and the fuse.

Please disconnect the power supply before replacing the fuse and bulb. When replacing them, adopt the same mode.

## 10. Electric equipment specification

### 10.1 Electrical paramters

SOURCE: Osram sirius hri 371S

POWER: 600W

VOLTAGE: AC100-240V 50/60HZ

Color temperature: 8000K

### 10.2 Weight and dimensions

Dimensions : 391X287X506mm

NET WEIGHT: 22Kg

Dimensions (Carton package) : 710X505X415mm

WEIGHT (Carton package) : 28Kg

Dimensions (Air boxes -2 lights): 1019X490X725mm

NET WEIGHT/WEIGHT (Air boxes -2 lights) : 38Kg/85Kg

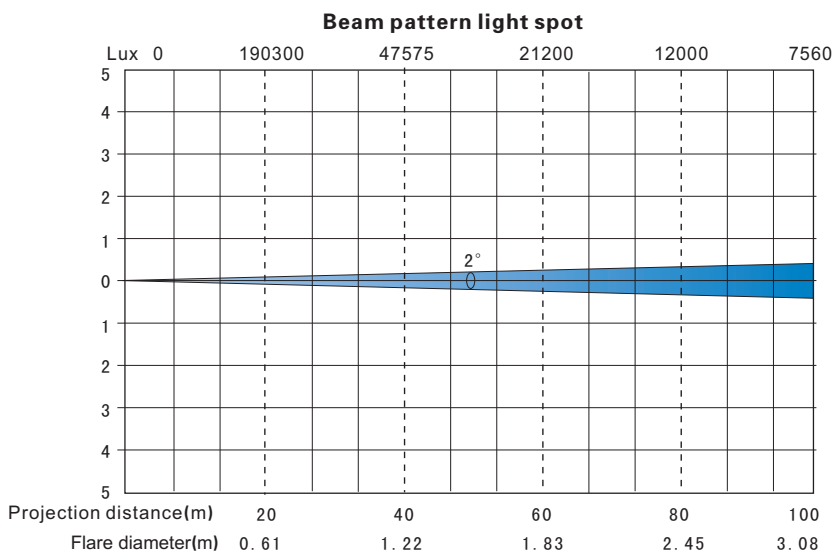
### 10.3 Channel Characteristics

1. Channel: 19, 12DMX-512.
2. Scan: Pan540° ,Tilt244° ,Scan speed adjustable. Fixture could auto reset.
3. Colour wheel: One open+ 13 colors.
4. GoboR wheel: one open + 14 gobos.
5. Prism system: 8prism effect, 24prism effect, with rotating.
6. Demmer: linear dimmer.
7. Focus: linear focus.
8. Forst: linear forst.
9. Shutter: Double motor stroboscopic, electronic shutter, random strobe.

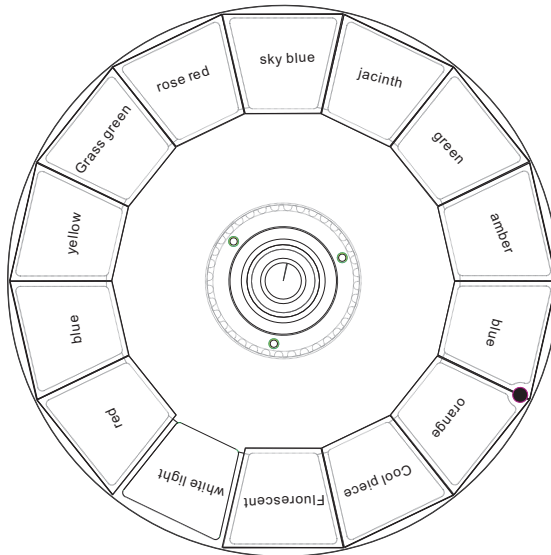
## 10.4 Menu Function

- 1.Touch screen, English/ Chinese menu.
- 2.Each DMX Value displayable.
- 3.Monitor could ON/OFF automatically.
- 4.Show fixture, lamp use time.
- 5.Lamp on/ff when power on.
- 6.When dimmer is closed, It supports energy saving mode,power consumption of the bulb will be 80% less, which will prolong lifetime of the bulb and make. It more stable
- 7.You can switch on and off the lamp via the control panel or via your DMX controller. It must be noted that it has to be cold before re-striking.
- 8.DMX signal after disconnecting display brightness alternately.
- 9.Remote ON by DMX.
- 10.Software upgrade function.

## 10.5 light table

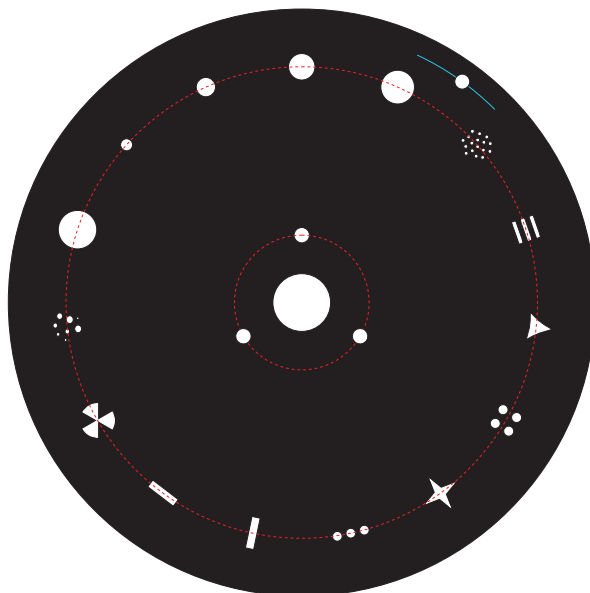


## 10.6 Color disk

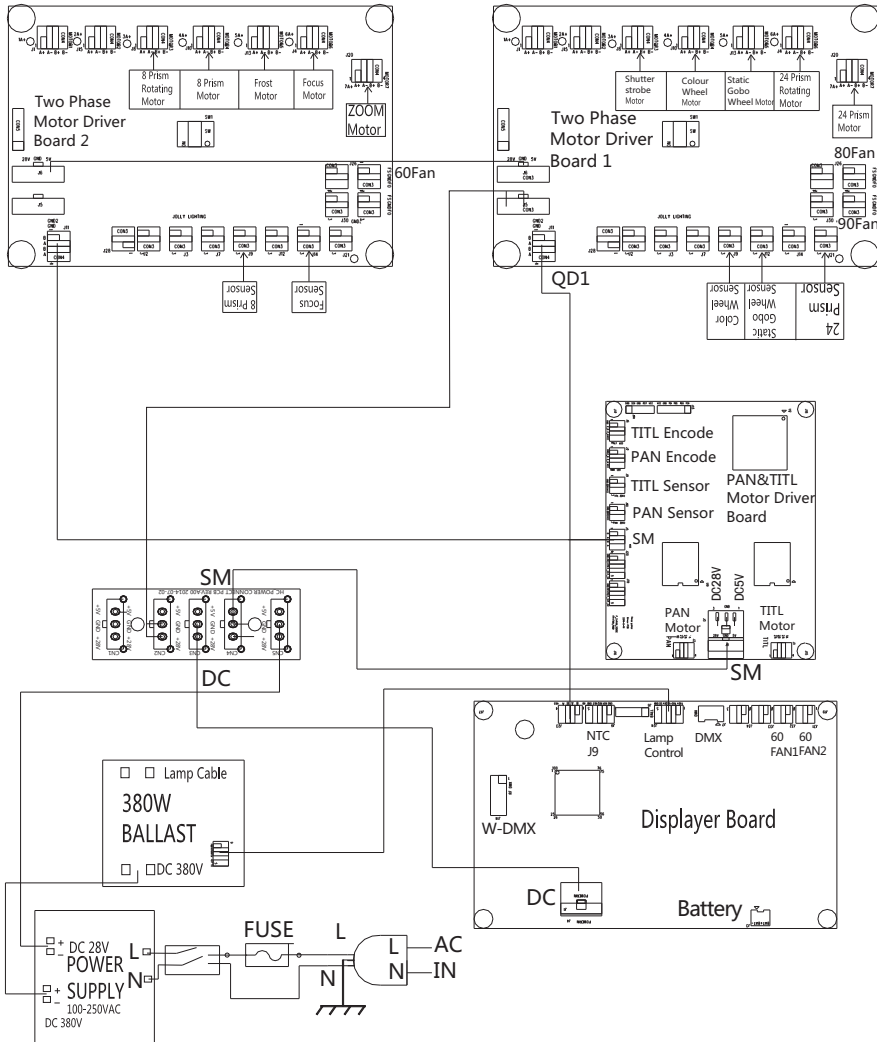


## 10.7 Gobo wheel

GOBOR WHEEL  
Effective diameter 8mm



## 11. Electronic drawing



**Note: The above contents for reference only and is subject to change without prior notice, please take specification you have on hand and our company reserves the final right of interpretation.**